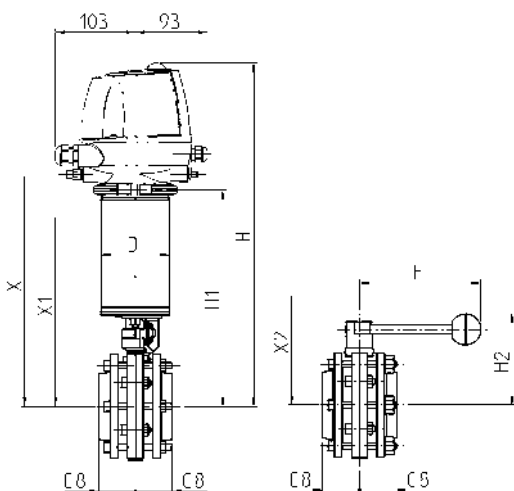


## Intermediate Flange Variant 788



### Technical data of the standard version

Product wetted materials	AISI 304
Non product wetted materials	AISI 304
Product wetted gasket material	EPDM
Ambient temperature	0 to 45 °C
Control air pressure	4.8 to 8 bar
Max. product pressure	10 bar
Product wetted surface	R <sub>a</sub> 0.8 µm
Non product wetted surface	Metal blank
Manual actuator	Manual actuator with ball head
Pneumatic actuator	Air-to-spring
Compliance / Certificates	CE* FDA

\* The CE-marking is valid for a Butterfly Valve with pneumatic actuator.

1

2

Nominal width	Pipe		Actuator		Dimensions			Removal space			Flange width	Valve	
	Ø [mm]	ØD [mm]	F [mm]	H [mm]	H1 [mm]	H2 [mm]	Screws* [mm]	X [mm]	X1 [mm]	X2 [mm]	C8 [mm]	Kvs [m³/h]	Weight (without actuator) [kg]
DN 15	19 × 1.5	90	116	415.0	253.0	83.0	30	435.0	273.0	103.0	47.5	10.0	1.6
DN 20	23 × 1.5	90	116	415.0	253.0	83.0	30	435.0	273.0	103.0	47.5	12.0	1.6
DN 25	29 × 1.5	90	116	415.0	253.0	83.0	30	435.0	273.0	103.0	47.5	21.0	1.5
DN 40	41 × 1.5	90	116	418.5	256.5	86.5	30	438.5	276.5	106.5	47.5	72.0	1.8
DN 50	53 × 1.5	90	116	427.0	265.0	95.0	30	447.0	285.0	115.0	47.5	130.0	2.4
DN 65	70 × 2.0	90	116	434.5	272.5	103.0	30	454.5	292.5	123.0	47.5	250.0	3.2
DN 80	85 × 2.0	90	160	440.5	278.5	114.5	30	460.5	298.5	134.5	47.5	340.0	3.8
DN 100	104 × 2.0	114	160	456.5	294.5	128.0	30	476.5	314.5	148.0	47.5	750.0	4.7
DN 125	129 × 2.0	114	220	472.0	310.0	146.0	40	492.0	330.0	166.0	55.0	1,100.0	8.7
DN 150	154 × 2.0	114	220	486.0	324.0	159.0	45	506.0	344.0	180.0	60.0	1,800.0	12.2
OD ½"	12.7 × 1.6	90	116	415.0	253.0	83.0	30	435.0	273.0	103.0	47.5	3.5	1.6
OD ¾"	19.05 × 1.6	90	116	415.0	253.0	83.0	30	435.0	273.0	103.0	47.5	10.0	1.6
OD 1"	25.4 × 1.6	90	116	415.0	253.0	83.0	30	435.0	273.0	103.0	47.5	23.0	1.6
OD 1 ½"	38.1 × 1.6	90	116	420.0	258.0	88.0	30	440.0	278.0	108.0	47.5	87.0	1.7
OD 2"	50.8 × 1.6	90	116	428.0	266.0	96.0	30	448.0	286.0	116.0	47.5	170.0	2.3
OD 2 ½"	63.5 × 1.6	90	116	436.5	274.5	105.0	30	456.5	294.5	125.0	47.5	240.0	3.1
OD 3"	76.2 × 1.6	90	160	444.0	282.0	118.0	30	464.0	302.0	138.0	47.5	400.0	3.5
OD 4"	101.6 × 2.0	114	160	454.0	292.0	130.5	30	474.0	312.0	150.5	47.5	880.0	5.3

\* Thread length

## Intermediate Flange Variant 788

Position	Description of the order code				
<b>1</b>	<b>Valve type</b>				
	7	Butterfly Valve			
<b>2</b>	<b>Flange connection</b>				
	88	Intermediate flange variant			
<b>3</b>	<b>Pipe standard</b>				
	0	OD	1	DN	
<b>4</b>	<b>Nominal size</b>				
	012	OD ½"	015	DN 15	
	075	OD ¾"	020	DN 20	
	010	OD 1"	025	DN 25	
	112	OD 1 ½"	040	DN 40	
	200	OD 2"	050	DN 50	
	212	OD 2 ½"	065	DN 65	
	300	OD 3"	080	DN 80	
	400	OD 4"	100	DN 100	
			125	DN 125	
		150	DN 150		
<b>5</b>	<b>Product wetted material</b>				
	1	AISI 304 (1.4301)		2	AISI 316L (1.4404)
<b>6</b>	<b>Product wetted gasket material</b>				
	0	EPDM		2	FKM
	1	HNBR		6	VMQ
<b>7</b>	<b>Actuator type</b>				
	0	Manual actuator		5	Manual actuator stepless
	1	Pneumatic for T.VIS®		6	Manual actuator with scissors handle (up to OD 4"/DN 100)
	2	Pneumatic incl. 2 proximity switch holders		9	Without actuator
<b>8</b>	<b>Air connection</b>				
	0	Without			
	1	Metric (only for actuator type 2)			
	2	Inch (only for actuator type 2)			
	3	Metric with air throttle (only for actuator type 2)			
4	Inch with air throttle (only for actuator type 2)				

